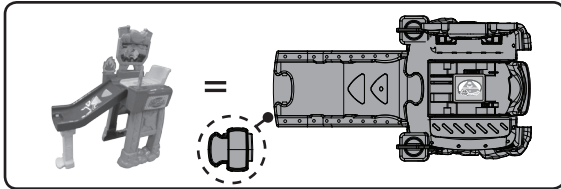
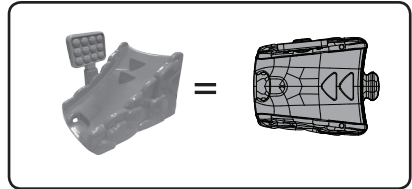


Monster Truck Rally™ Track Configuration Suggestions

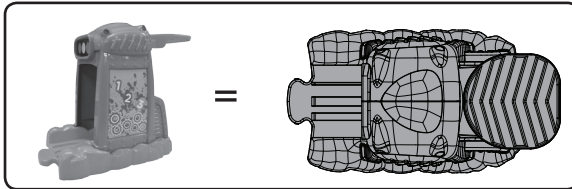
Total tracks: 16



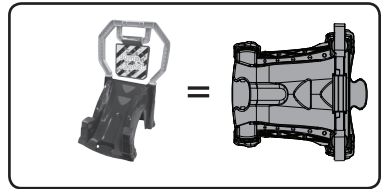
One podium



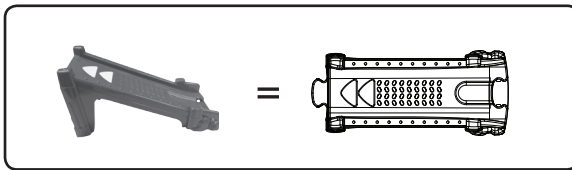
One podium landing track



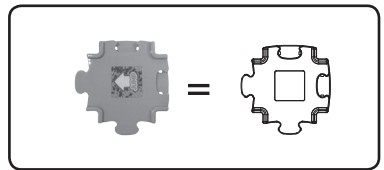
One launcher



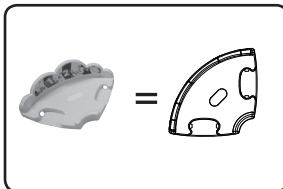
One short ramp track



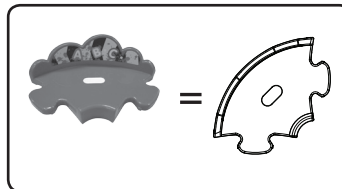
One long ramp track



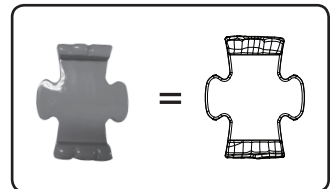
CROSS
Two cross tracks



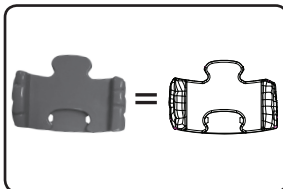
90°(F)
One 90-degree track, female



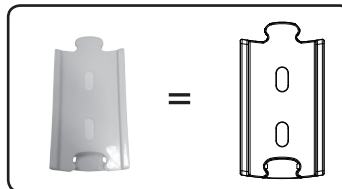
90°(M)
One 90-degree track, male



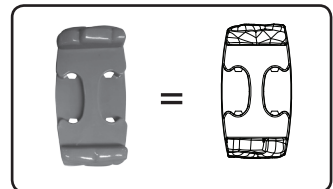
1/4 ST(M)
One 1/4 straight track, male



1/4 ST
Three 1/4 straight tracks



3/4 ST
One 3/4 straight track



1/4 ST(F)
Two 1/4 straight tracks, female

Figure 1

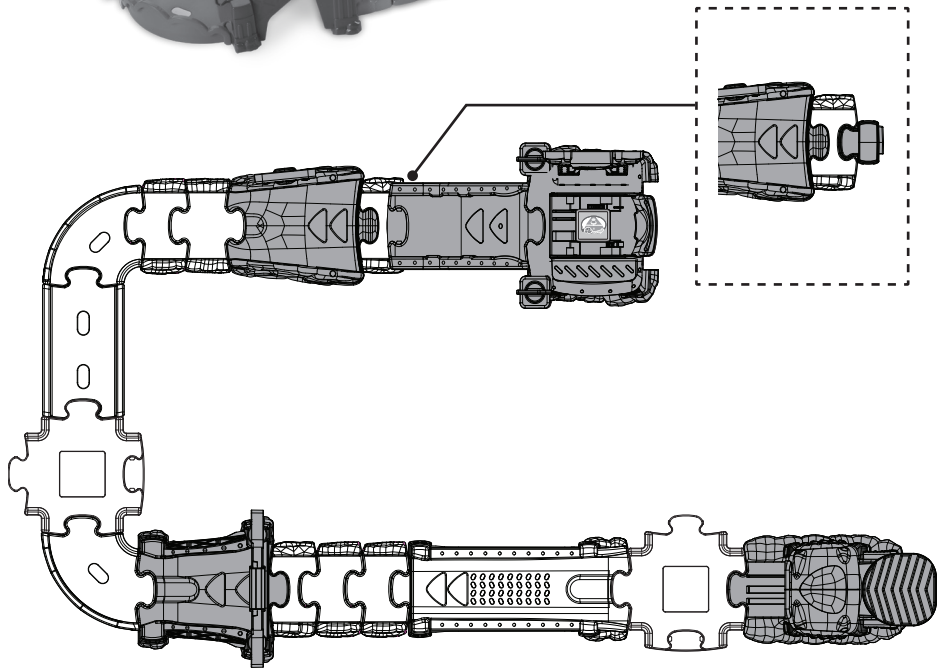
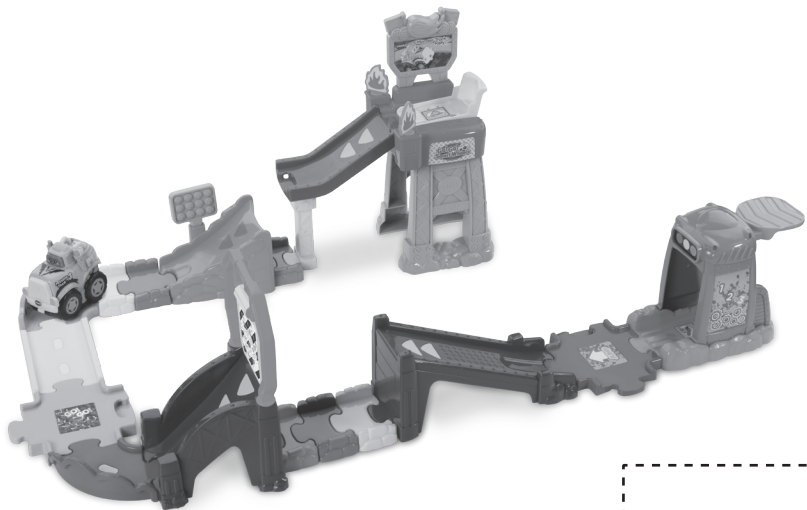


Figure 2

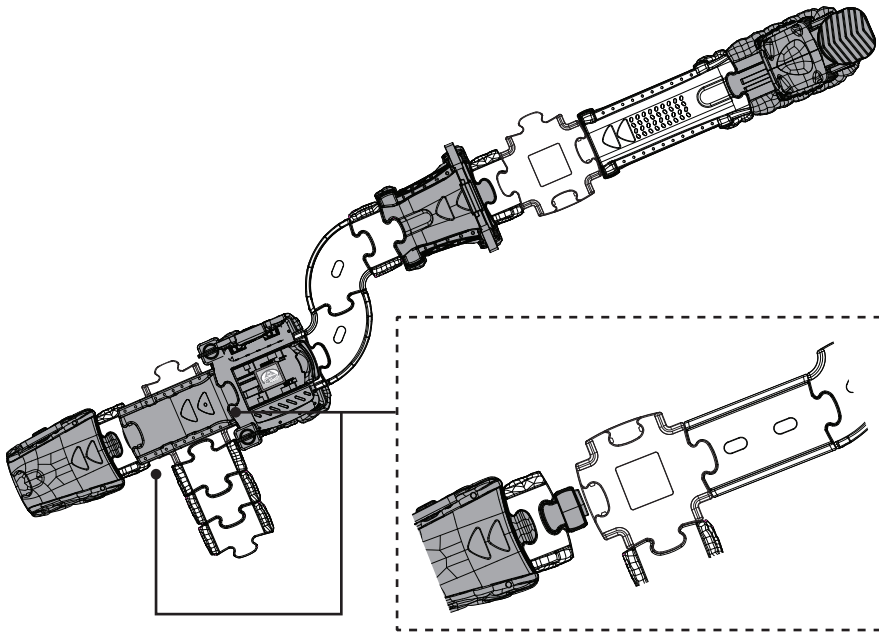


Figure 3

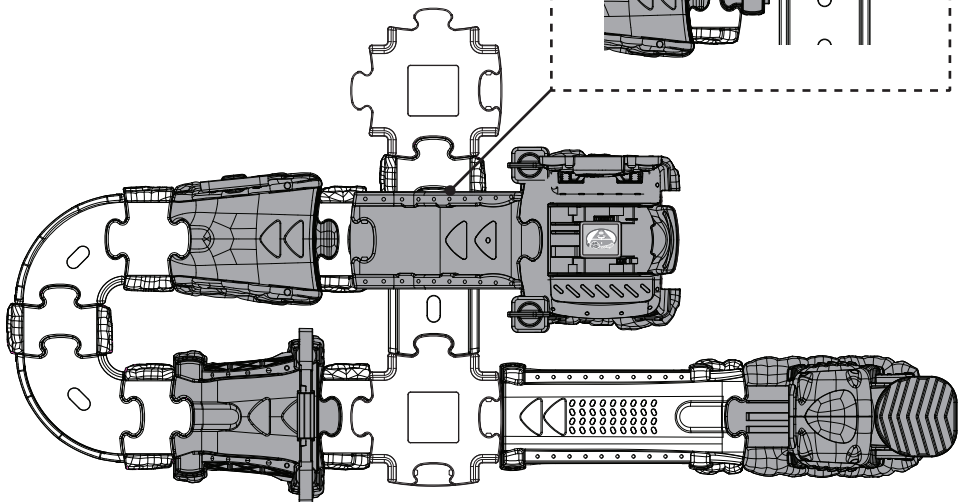
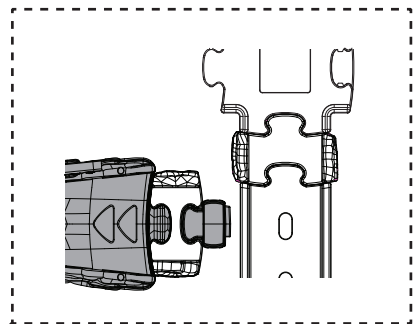
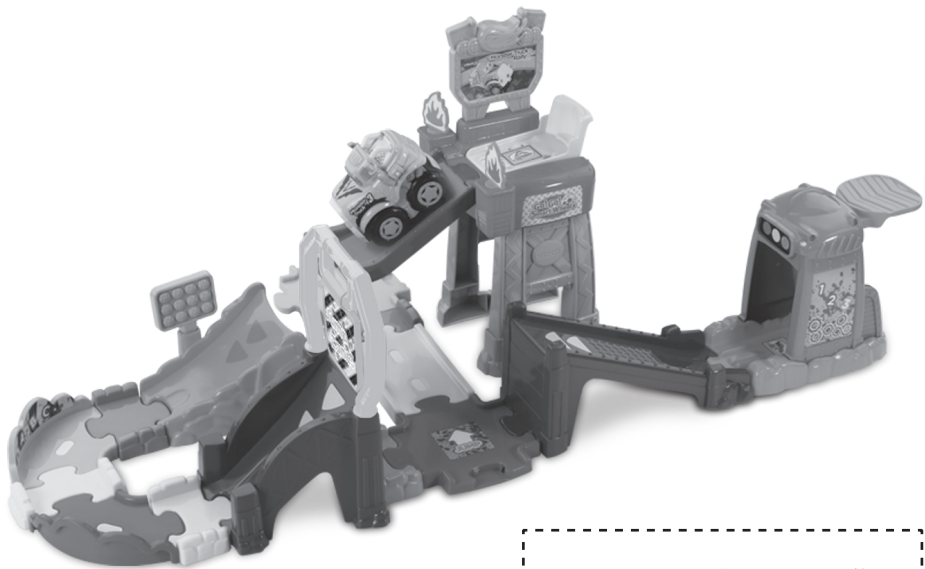


Figure 4

